

GOBLIN FIREBALL HAVOK Version

[PN SG 285]

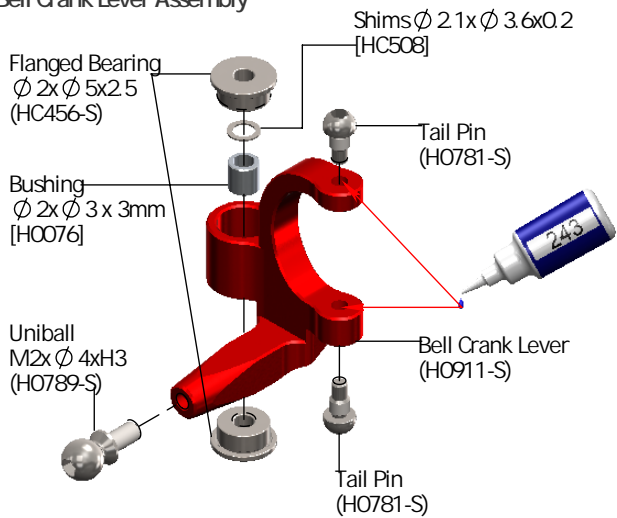


SG285_rev01

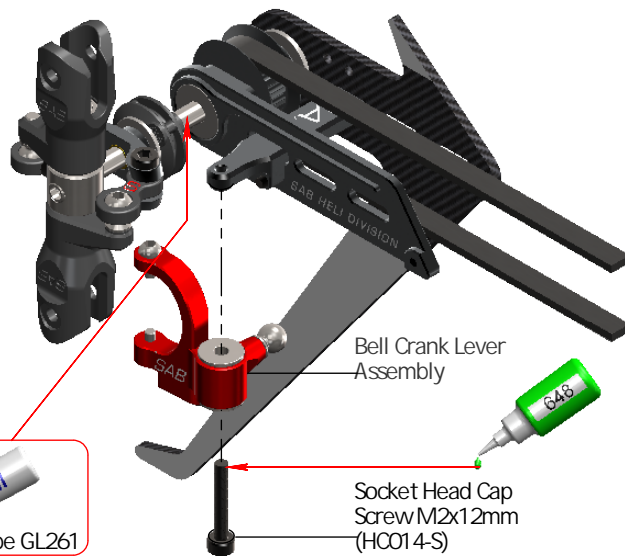
Please read this user manual carefully, it contains instructions for the correct assembly of the KIT.
Please refer to the website www.goblin-helicopter.com for updates and other important information. Thanks You.

In this sheet, you can see how to assemble the specific parts of the "Havok" version.

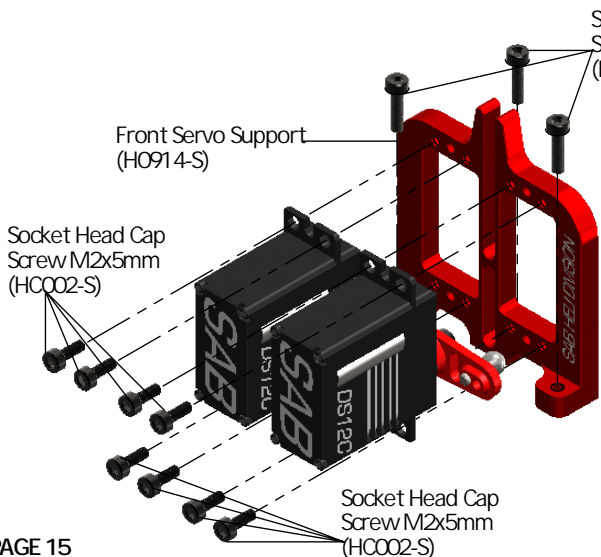
Bell Crank Lever Assembly



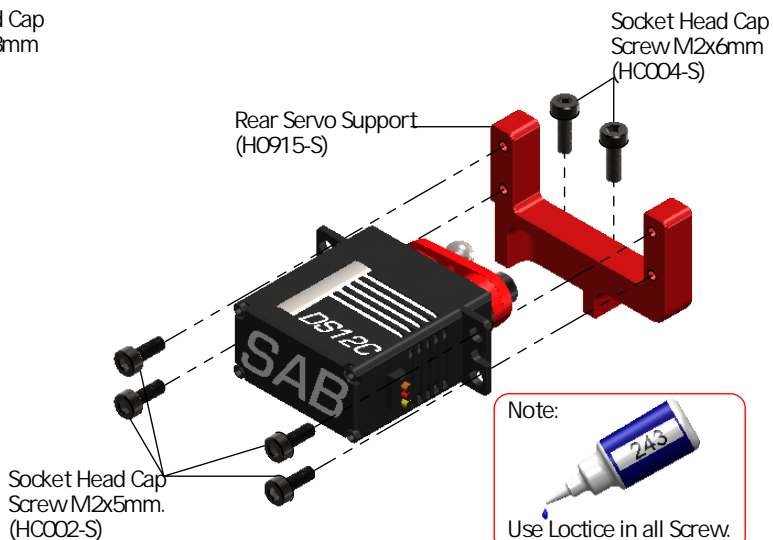
Note:
eg. Microlube GL261



PAGE 8

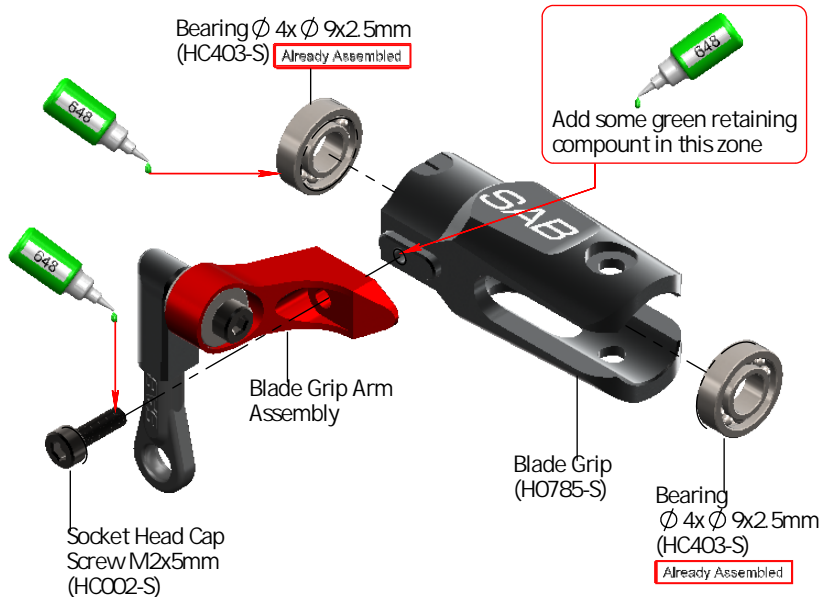
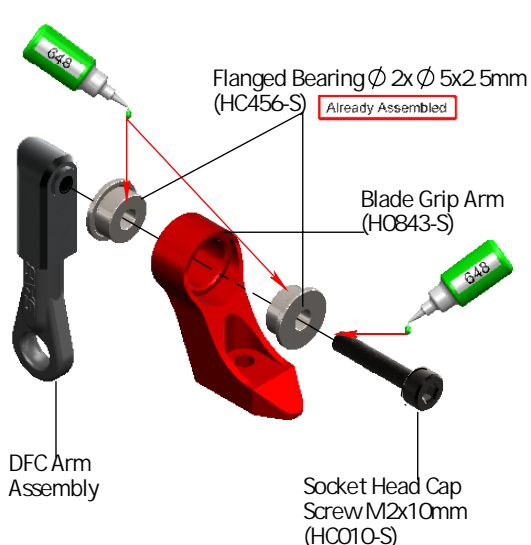


PAGE 15



Note:
Use Loctice in all Screw.

Blade Grip Assemblyx2



PAGE 17

