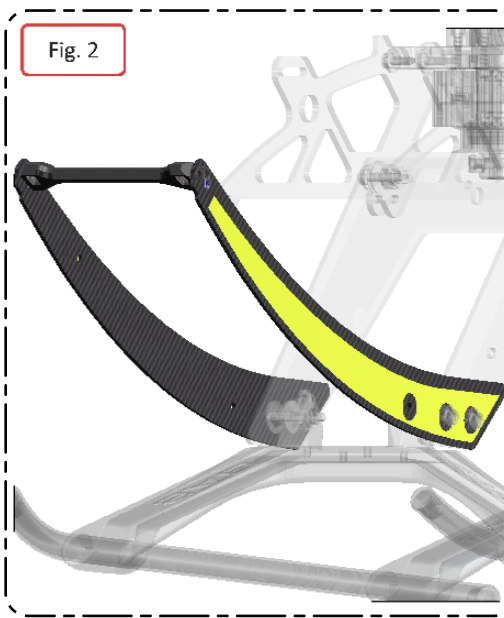
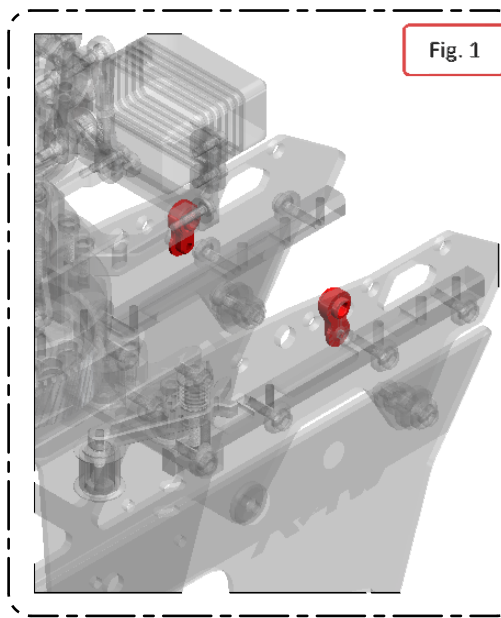


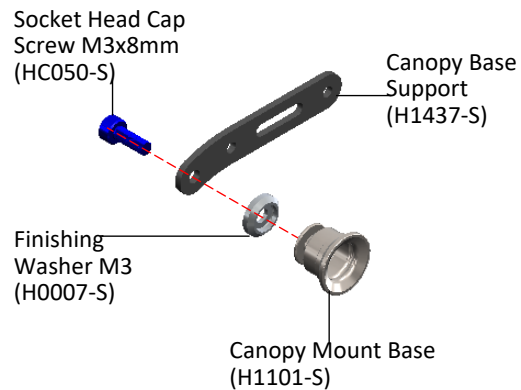
BAG 1, REPLACE PAGE 33

For replace Canopy H1516:

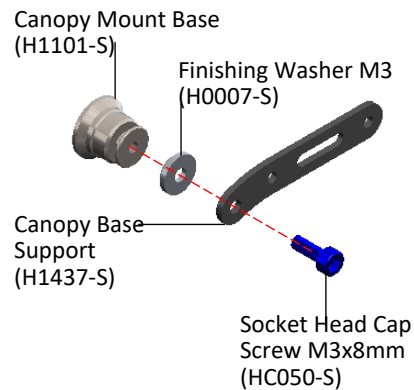
1. Remove 2 H1386 as Fig.1
2. Remove 2 H1358 and H1348 as Fig.2



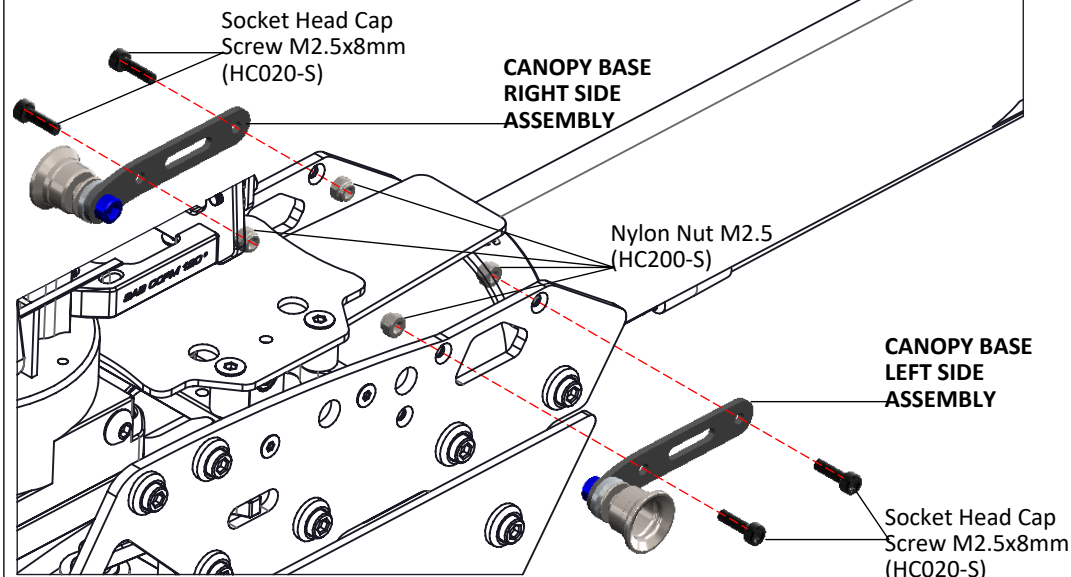
CANOPY BASE ASSEMBLY LEFT SIDE



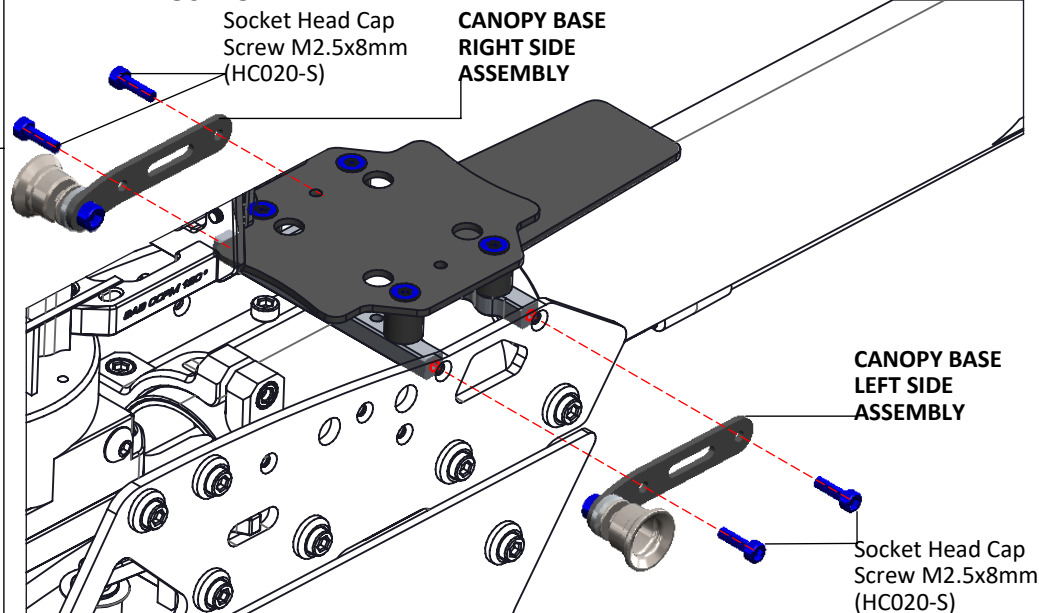
CANOPY BASE ASSEMBLY RIGHT SIDE



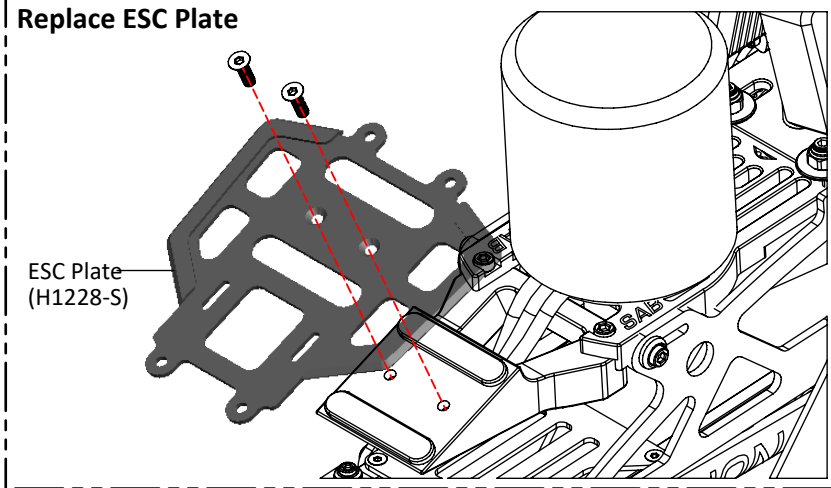
FRONT FBL POSITION



REAR FBL POSITION

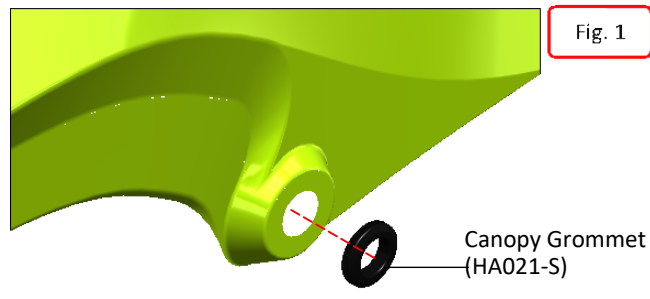


Replace ESC Plate



CANOPY

- ⚠️ *Install Canopy grommets (Fig.1) and the two quick knobs (Fig.2)
- *Fit the canopy in the red arrow zone, and insert the knobs.
- *Confirm the canopy is secure prior to each flight.



NOTE: Put a very small drop of CA glue on the grommet and then insert the quick release canopy mount. This way when you remove the canopy, the mounts can not come off. Be careful not to block the quick release mechanism with glue.

