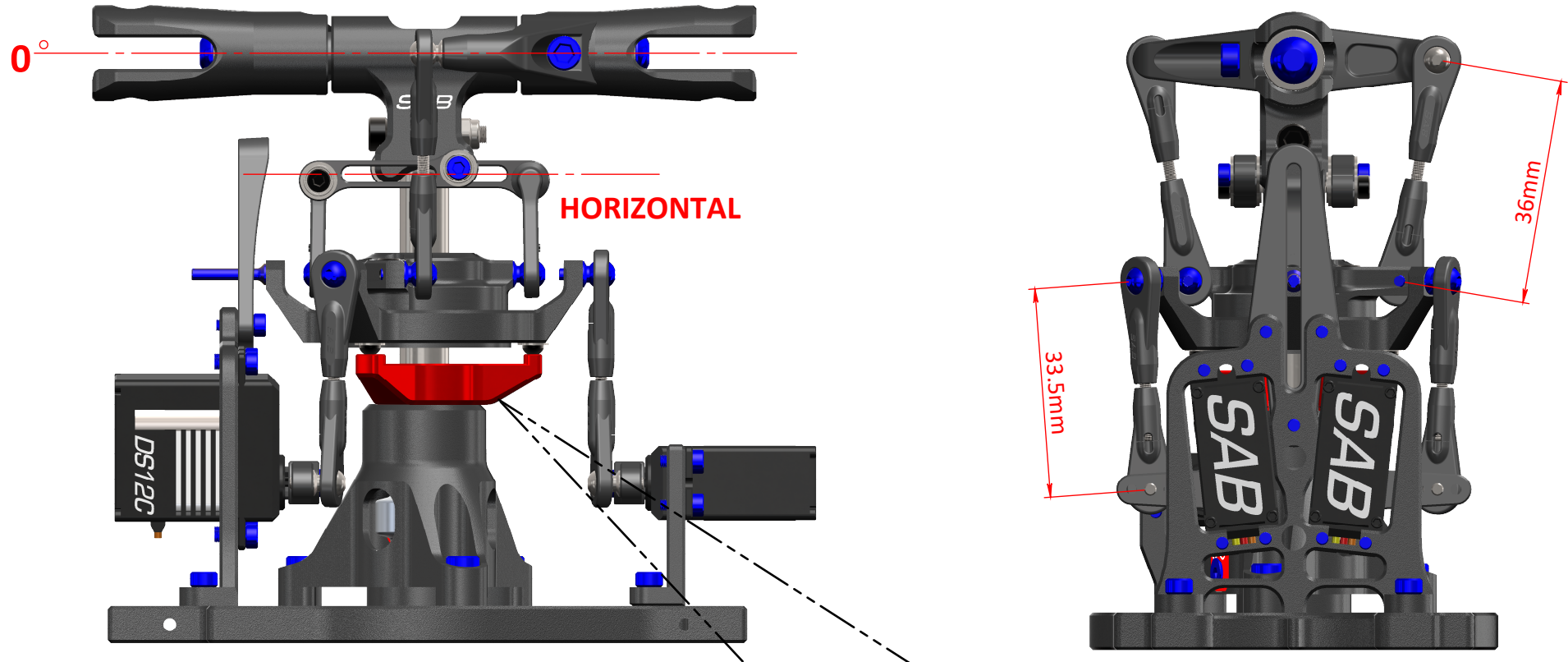


RAW 420 SWASHPLATE LEVELER

[H1686-S]



The swashplate leveler allows you to perfectly level the swashplate as well as ensure it is centered on the main shaft. It is used during initial setup and thanks to its design it can be used without having to remove the rotor head.



NOTE:
Place under the Screws.

