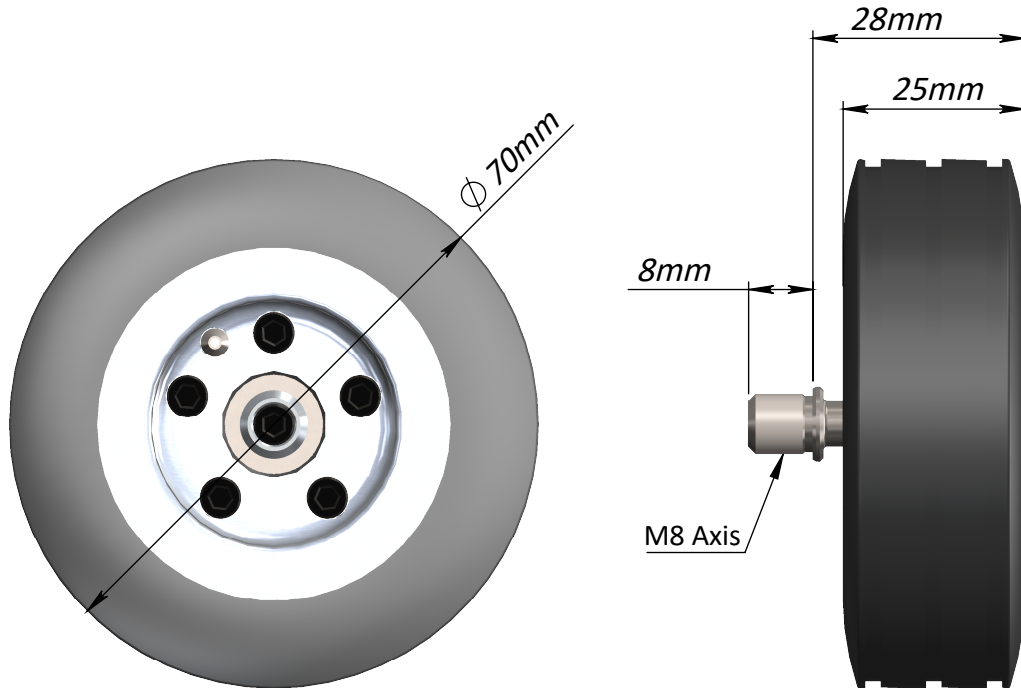


Please read this user manual carefully, it contains instructions for the correct assembly.  
Please refer to the website [www.sabavio.com](http://www.sabavio.com) for updates and other important information. Thank You.

**General Specifications**

- \* Size models from 10 to 18 kg
- \* Air pneumatic wheels.
- \* Electric brake 6/8.4 volts.

**" FRONT "****" REAR "**