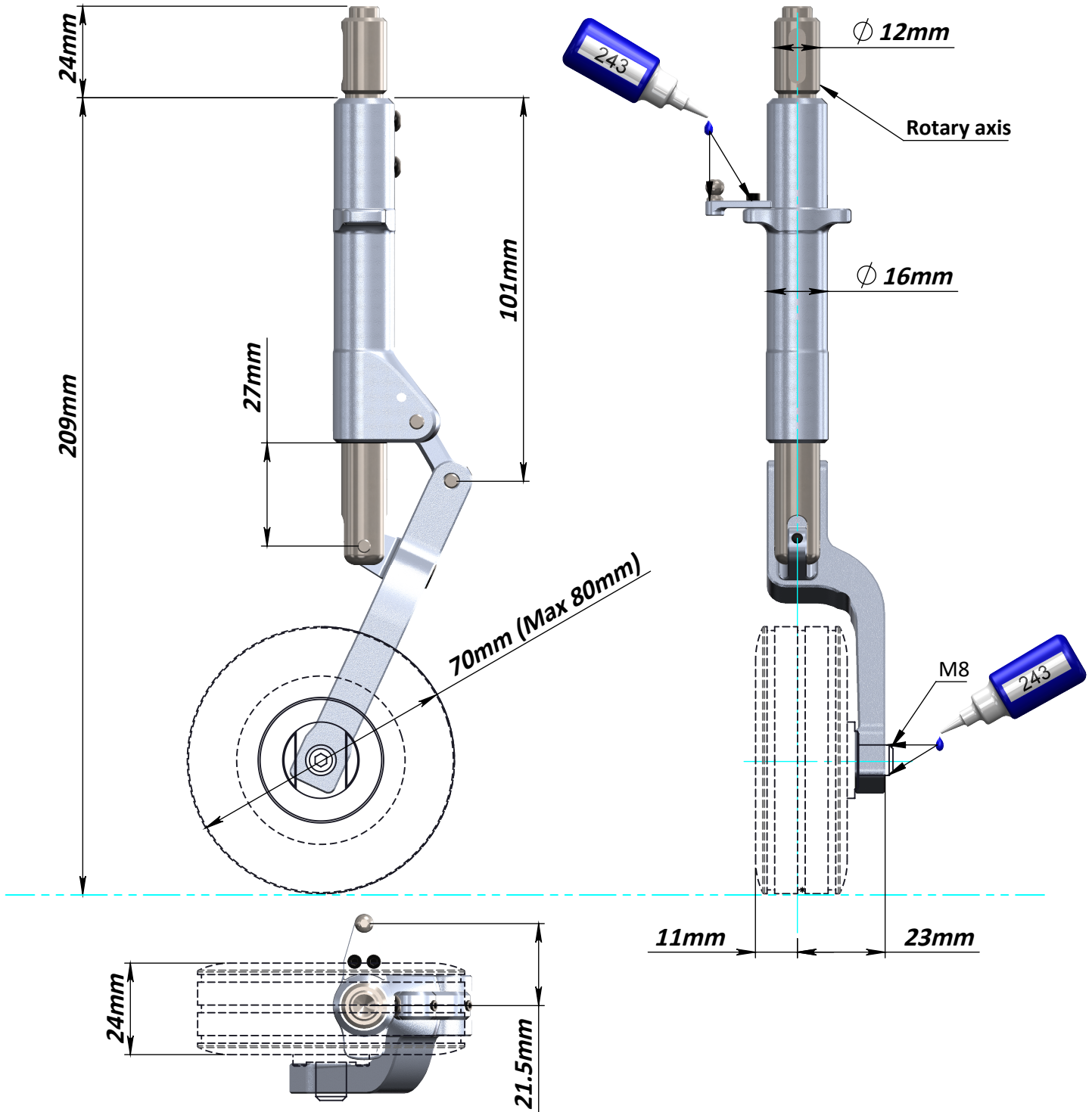


Please read this user manual carefully, it contains instructions for the correct assembly.
Please refer to the website www.sabavio.com for updates and other important information. Thank You.

General Specifications

- * Size leg: models from 10 to 18 kg.
- * Connection to the retract: 12 mm diameter.

- * Connection to the shaft axis : M8.
- * Weight without wheel: 122 grams.



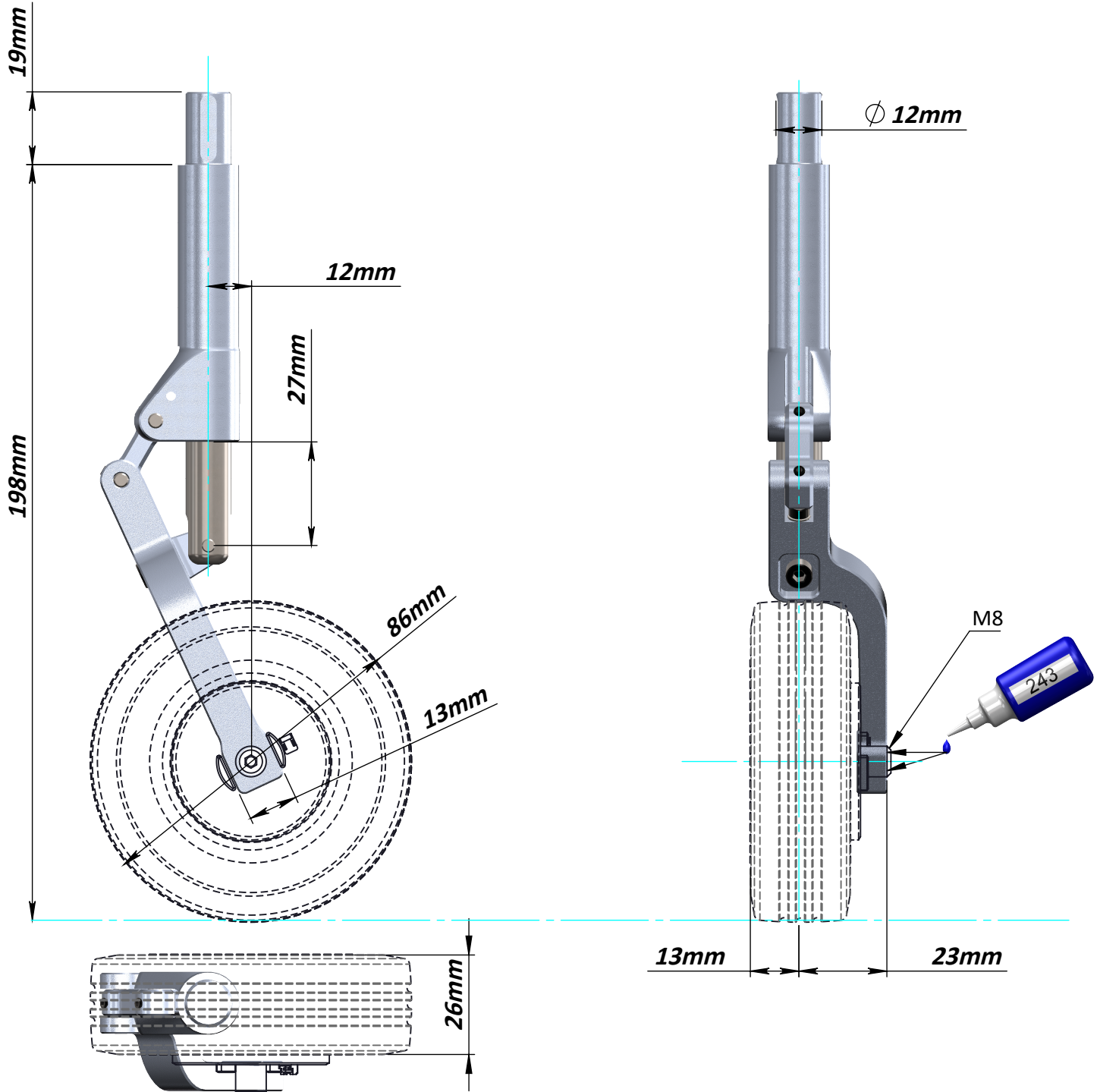
NOTE:

- * Use Loctite 242 thread locker for the M8 wheel connection.
- * Every 50 uses add a dense grease inside the cylinder.

Please read this user manual carefully, it contains instructions for the correct assembly.
Please refer to the website www.sabavio.com for updates and other important information. Thank You.

General Specifications

- * Size leg: models from 10 to 18 kg.
- * Connection to the retract = 12 mm diameter.
- * Connection to Shaft axis: M8.
- * Reversible right / left mounting.
- * Weight without wheel: 93 grams.



NOTE:

- * Use Loctite 242 thread locker for the M8 wheel connection
- * Every 50 uses add a dense grease inside the cylinder